

# FLDXPRO SERIES OUTDOOR LIGHTING

**WESTGATE**  
THE FUTURE IS HERE...AND IT'S QUITE BRIGHT!

FLDXPRO-MD-10-30W-MCTPB-BR  
POWER, CCT & BEAM ANGLE- ADJUSTABLE FLOOD LIGHTS  
**MCTP** Multi Color Temperature & Multi Power/Wattage (Selectable)

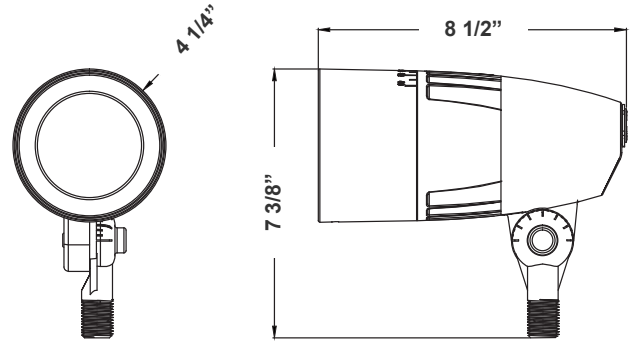
Customer Name: \_\_\_\_\_

Project Name: \_\_\_\_\_

Note: \_\_\_\_\_ Type: \_\_\_\_\_



Avail. Finishes:



7 3/8"(H) x 8 1/2"(W) x 4 1/4"(D)

Ideal for general site lighting, alleys, loading docks, doorway, pathway, and parking areas. Great for use with motion sensors and another instant on/off controls.

## Features

- Die-cast Aluminum Housing with Powder Coat Finish (Dark Bronze)
- 1/2" Threaded Knuckle Stem
- 7-Year Warranty
- Lens Type: Plaid Tempered Glass + Aluminum Reflectors

## Technical Specifications

### Electrical:

- Voltage: 120-277V
- Power Factor: >0.9
- Wattage: 10W/20W/30W
- Efficacy: 95 LPW

### Mechanical:

- Die-cast Aluminum Housing with Powder Coat Finish (Dark Bronze)
- DC Button Photocell with ON/OFF switch Included
- Cord type: 18" SJTW 18/3 AWG cable
- 1/2" Threaded Knuckle Stem
- Operating Temperature: -40°F to 104°F
- IP Rating: IP65
- Suitable for Wet Locations
- 7-Year Warranty

### Lighting:

- Lens Type: Plaid Tempered Glass + Aluminum Reflectors
- Total Lumens: 2850LM Max.
- Color Temperatures: 3000K/4000K/5000K
- Color Rendering Index: CRI ≥ 80
- Beam Angle: Adjustable from 25°-65° by Rotating the Lens
- Lifespan: 70,000 Hrs.

### Applications:

- Ideal for general site lighting, alleys, loading docks, doorway, pathway, and parking areas. Great for use with motion sensors and another instant on/off controls.

### Other Models:

- 30W | 2850LM | FLDXPRO-MD-10-30W-MCTPB-BK

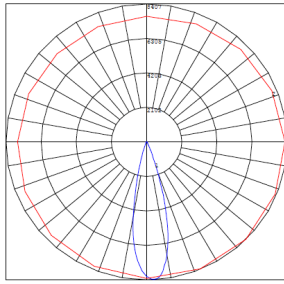
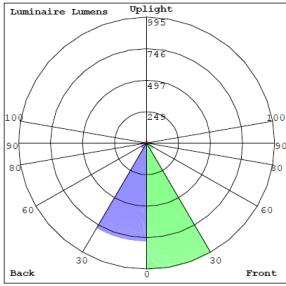


Phone: (877) 805-2252 | Fax: (877) 805-2252  
www.westgateimg.com

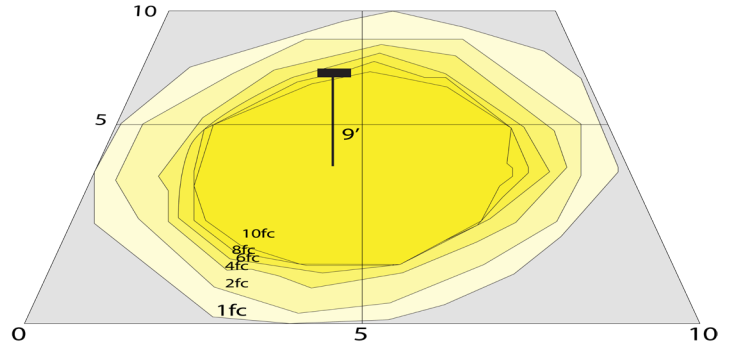


WG-07052022

**Photometrics:** FLDXPRO-MD-10-30W-MCTPB-BR



BUG Rating: B2-U2-G0



30W 5000K, Area 10'x 10' Mounting Height: 9'

**Other Views:**



Side View



Front View



Back View

**Performance Table:** FLDXPRO-MD-10-30W-MCTPB-BR

MODEL NO.	Wattage	Voltage	Lumens	Color Temp.	BUG Rating	LPW
FLDXPRO-MD-10-30W-MCTPB-BR	10W	120-277V	950LM	3000K 4000K 5000K	B1-U0-G0	95
	20W		1900LM			
	30W		2850LM			

**Sample Ordering**

Model	Size	Watt	Watt	Color Temp.	Finish
FLDXPRO	MD	10	30W	MCTPB	BR

